



US00D839267S

(12) **United States Design Patent**
Park

(10) **Patent No.:** **US D839,267 S**

(45) **Date of Patent:** **** Jan. 29, 2019**

(54) **DISPLAY DEVICE**

FOREIGN PATENT DOCUMENTS

(71) Applicant: **Samsung Display Co., Ltd.**, Yongin-si,
Gyeonggi-do (KR)

KR 10-2016-0004316 A 1/2016
KR 10-2016-0025888 A 3/2016

(Continued)

(72) Inventor: **Sang Hyo Park**, Suwon-si (KR)

OTHER PUBLICATIONS

(73) Assignee: **Samsung Display Co., Ltd.**, Yongin-si
(KR)

Futuristic Flexible Windows Smartphone Has a Crystal Clear Body,
posted Oct. 5, 2015, [retrieved Aug. 25, 2018]. Retrieved from
Internet, <URL: <https://www.concept-phones.com/microsoft/futuristic-flexible-windows-smartphone-crystal-clear-body/>>.*

(Continued)

(**) Term: **15 Years**

(21) Appl. No.: **29/623,002**

(22) Filed: **Oct. 20, 2017**

Primary Examiner — Barbara Fox

Assistant Examiner — Kristin E Reed

(30) **Foreign Application Priority Data**

(74) *Attorney, Agent, or Firm* — Lewis Roca Rothgerber
Christie LLP

Apr. 25, 2017 (KR) 30-2017-0019245

(51) **LOC (11) Cl.** **14-02**

(52) **U.S. Cl.**

USPC **D14/345; D14/138 R**

(58) **Field of Classification Search**

USPC D14/341–347, 125–134, 137, 138 R,
D14/138 AA, 138 AB, 138 C, 138 G, 147,
D14/203.1, 203.3, 203.4, 203.7, 218, 247,
D14/248, 332, 336, 371, 374–377, 388,
D14/389, 315–318, 420, 426, 429, 440,
D14/448, 450, 489, 492, 496;
D6/300–310; D10/50, 65, 98, 104.1;
(Continued)

(56) **References Cited**

U.S. PATENT DOCUMENTS

5,189,632 A * 2/1993 Paajanen G06F 1/1616
455/556.2

D596,657 S * 7/2009 Adams D16/241
(Continued)

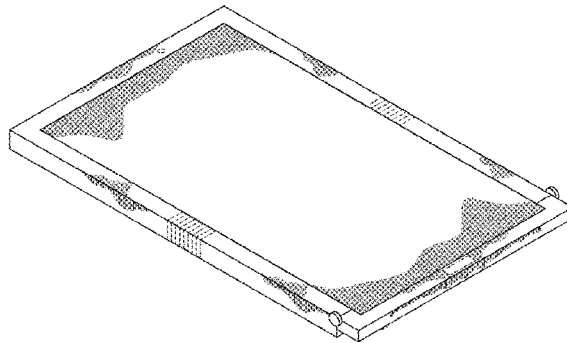
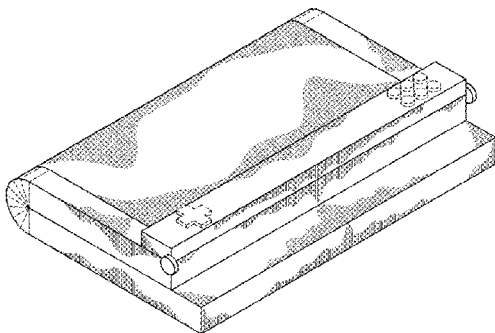
CLAIM

(57) The ornamental design for a display device, as shown and
described.

DESCRIPTION

FIG. 1 is a front perspective view of a display device
showing our new invention;
FIG. 2 is a front view thereof;
FIG. 3 is a rear view thereof;
FIG. 4 is a left side view thereof;
FIG. 5 is a right side view thereof;
FIG. 6 is a top view thereof;
FIG. 7 is a bottom view thereof;
FIG. 8 is a front perspective view of the display device when
folded along a center portion and unfolded along an edge
portion; and,
FIG. 9 is a perspective view of the display device when
unfolded along the center portion and the edge portion.
The broken lines shown in the drawings depict portions of
the display device that form no part of the claimed design.

1 Claim, 9 Drawing Sheets



(58) **Field of Classification Search**

USPC D16/241; D18/4.6, 6; D20/10, 19, 39;
 D21/329, 330
 CPC . A63H 33/3016; G06F 1/1613; G06F 1/1641;
 G06F 1/1643; G06F 1/1647; G06F
 3/04883; G06F 3/0486; G06F 3/04847;
 G06F 3/04845; G06F 3/0484; G06F
 3/04817; H05K 5/0004; H05K 5/0017;
 H05K 5/02; H05K 5/0217; H04M 1/0279;
 H04M 1/0281; H04M 1/0283; H04N
 13/0459

See application file for complete search history.

D769,209 S * 10/2016 Byun D14/138 AB
 D772,225 S * 11/2016 Kacin D14/341
 D778,864 S * 2/2017 Kim D14/138 AB
 9,733,744 B2 * 8/2017 Lee G06F 3/0412
 D811,393 S * 2/2018 Ahn D14/371
 D814,455 S * 4/2018 Kwon D14/341
 9,933,819 B2 * 4/2018 Kim G06F 1/1652
 10,015,897 B1 * 7/2018 Hong H05K 5/0217
 D825,518 S * 8/2018 Kikuchi D14/138 AB
 10,043,421 B2 * 8/2018 Koo G09F 9/301
 2014/0218321 A1 8/2014 Lee et al.
 2014/0321072 A1 10/2014 Cavallaro et al.
 2015/0109544 A1 4/2015 Yeo et al.
 2015/0146386 A1 5/2015 Namkung et al.
 2015/0146387 A1 5/2015 Lee

(56) **References Cited**

U.S. PATENT DOCUMENTS

8,493,730 B2 7/2013 Shim et al.
 8,587,539 B2 11/2013 Tziortzis et al.
 8,896,202 B2 11/2014 Oh
 D719,542 S 12/2014 Lee et al.
 D729,792 S * 5/2015 Kurimoto D14/315
 9,052,769 B2 6/2015 Choi et al.
 D745,006 S 12/2015 Hirakata et al.
 D745,516 S 12/2015 Yamazaki et al.
 D750,036 S 2/2016 Endo et al.
 D750,064 S 2/2016 Yamazaki et al.
 D757,723 S 5/2016 Kwak et al.
 D760,218 S 6/2016 Yamazaki
 D761,251 S 7/2016 Senda
 D761,252 S 7/2016 Senda
 D761,253 S 7/2016 Yamakazi
 D761,254 S 7/2016 Yamazaki et al.
 D761,787 S 7/2016 Yamazaki
 D761,788 S 7/2016 Yamakazi
 D761,789 S 7/2016 Yamazaki
 D761,790 S 7/2016 Yamakazi
 D767,526 S 9/2016 Lee et al.
 D767,530 S 9/2016 Bae et al.

FOREIGN PATENT DOCUMENTS

KR 10-2016-0055416 A 5/2016
 KR 10-2016-0074815 A 6/2016
 KR 10-2016-0080034 A 7/2016
 KR 10-2016-0103599 A 9/2016

OTHER PUBLICATIONS

Samsung Galaxy X ,Primul smartphone pliabil de la Samsung va deveni realitate, posted Dec. 18, 2017, [retrieved Aug. 25, 2018]. Retrieved from Internet, <URL: <https://noutati-tehnologie.com/samsung-galaxy-x-primul-smartphone-pliabil-de-la-samsung/> >.*
 Samsung Galaxy Wing is a 7-inch 4K Smartphone with a Foldable Display, posted Feb. 26, 2018, [retrieved Aug. 25, 2018]. Retrieved from Internet, <URL: <http://www.techeblog.com/index.php/tech-gadget/samsung-galaxy-wing-is-a-7-inch-4k-smartphone-with-a-foldable-display> >.*
 Folding Screen Smartphone—The Concept is Now a Reality, posted Jun. 29, 2016, [retrieved Aug. 25, 2018]. Retrieved from Internet, <URL: <https://www.buzzing.tech/folding-screen-smartphone-concept-now-reality/253/> >.*

* cited by examiner

FIG. 1

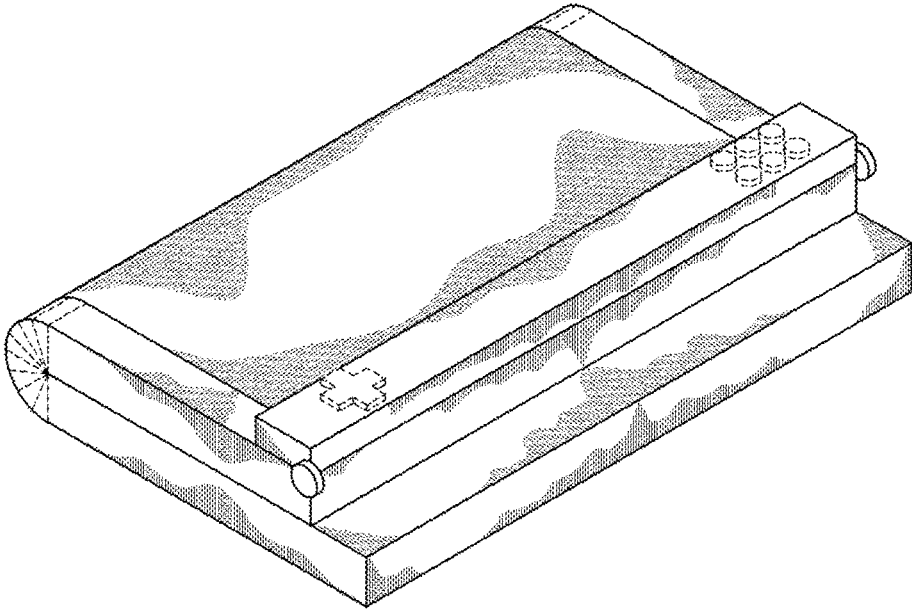


FIG. 2



FIG. 3

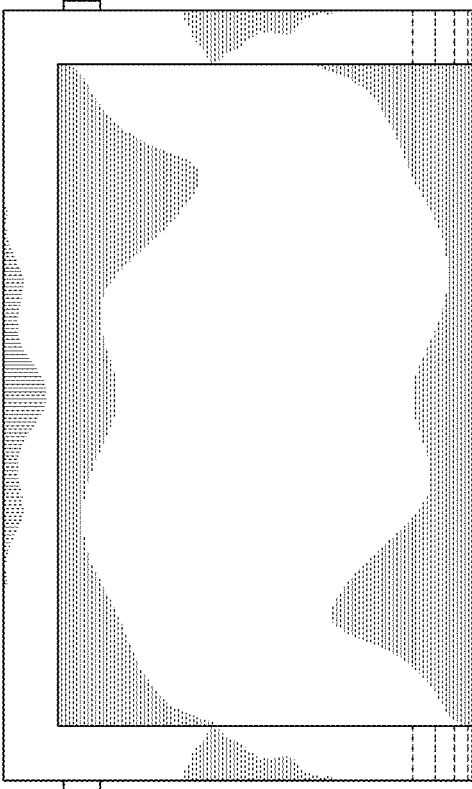


FIG. 4

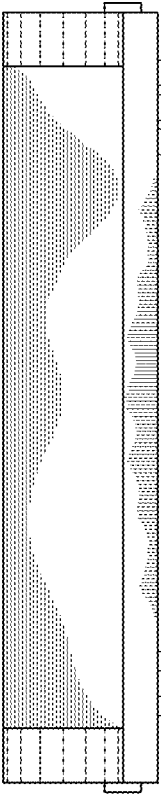


FIG. 5

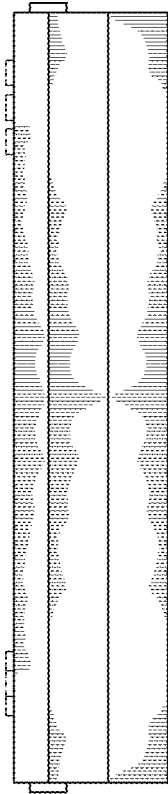


FIG. 6

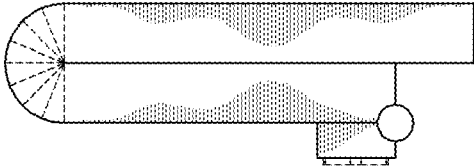


FIG. 7

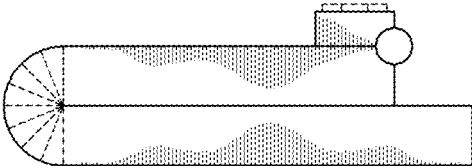


FIG. 8

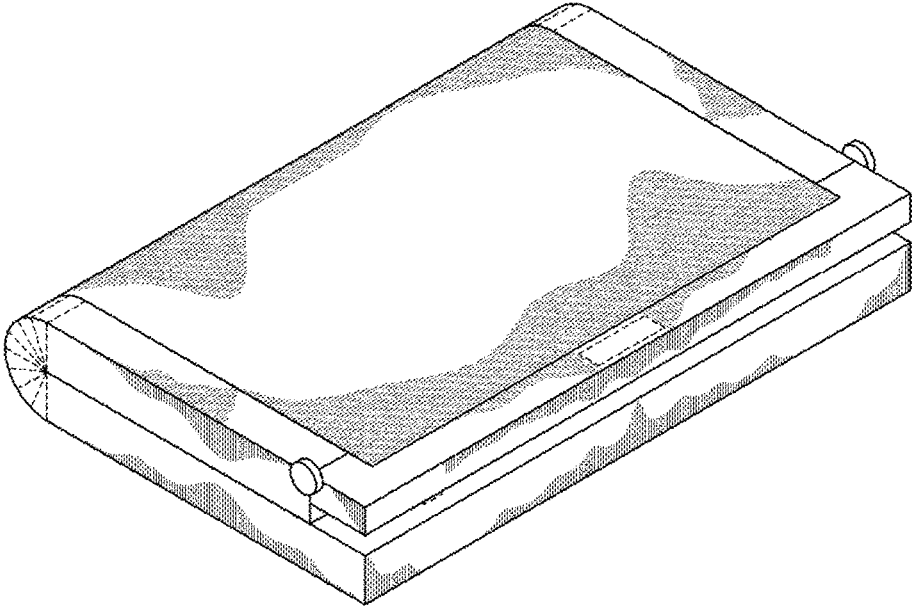


FIG. 9

